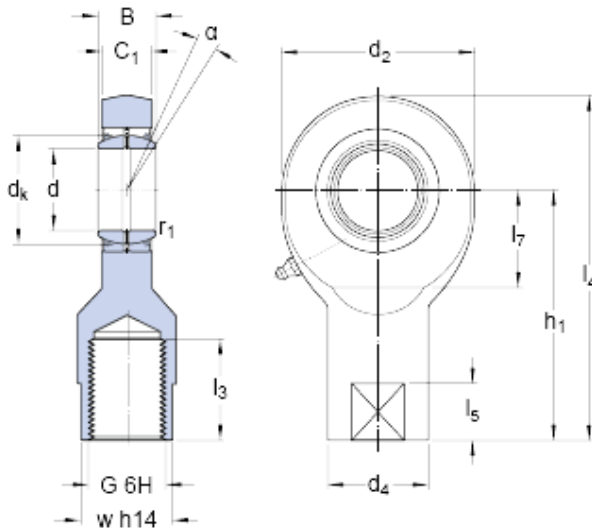




## NTN Bearing Driveshaft do Brasil



skf SI 35 ES-2LS Spherical plain bearings and rod ends with a female thread

Bearing No. SI 35 ES-2LS

d	35 mm
d <sub>2</sub> max.	84 mm
B	25 mm
G	M 36x3
C <sub>1</sub> max.	22 mm
h <sub>1</sub>	130 mm
	6 °
d <sub>k</sub>	47 mm
d <sub>4</sub>	49 mm
l <sub>3</sub> min.	60 mm
l <sub>4</sub> max.	174 mm
l <sub>5</sub>	25 mm
l <sub>7</sub> min.	40 mm
w	41 mm
r <sub>1</sub> min.	0.6 mm
Basic dynamic load rating C	80 kN
Basic static load rating C <sub>0</sub>	134 kN
Specific dynamic load factor K	100 N/mm <sup>2</sup>
Material constant K <sub>M</sub>	330
Mass rod end	1.4 kg

SI 35 ES-2LS Bearing 2D drawings and 3D CAD models