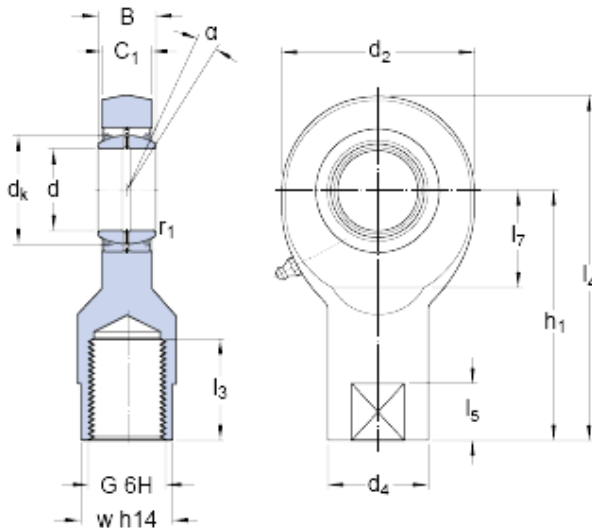




NTN Bearing Driveshaft do Brasil



skf SIL 40 ESL-2LS Spherical plain bearings and rod ends with a female thread

Bearing No. SIL 40 ESL-2LS

| | |
|---|-----------------------|
| d | 40 mm |
| d ₂ max. | 94 mm |
| B | 28 mm |
| G | M 42x3 |
| C ₁ max. | 24 mm |
| h ₁ | 145 mm |
| | 6 ° |
| d _k | 53 mm |
| d ₄ | 58 mm |
| l ₃ min. | 65 mm |
| l ₄ max. | 194 mm |
| l ₅ | 25 mm |
| l ₇ min. | 40 mm |
| w | 50 mm |
| r ₁ min. | 0.6 mm |
| Basic dynamic load rating C | 100 kN |
| Basic static load rating C ₀ | 166 kN |
| Specific dynamic load factor K | 100 N/mm ² |
| Material constant K _M | 330 |
| Mass rod end | 2.2 kg |

SIL 40 ESL-2LS Bearing 2D drawings and 3D CAD models